



LED STEP LIGHT 9W

OTSEN LED STEP LIGHT 9W

The OTSEN 9W LED step light is a high-performance lighting solution equipped with a Cree chip and OTSEN LED driver, delivering an impressive 100 lumens per wattage. Designed for durability and efficiency, this step light ensures superior brightness and energy savings. It features an IP66 protection rating, making it highly resistant to dust and water penetration, ideal for challenging outdoor environments. Suitable for a wide range of applications, the OTSEN 9W step light is perfect for illuminating buildings external area, residential areas, and public parks, providing reliable and efficient lighting for enhanced safety and visibility.

Application Areas

- Building
- Residential Area
- Commercial
- Pathway
- Parking Area



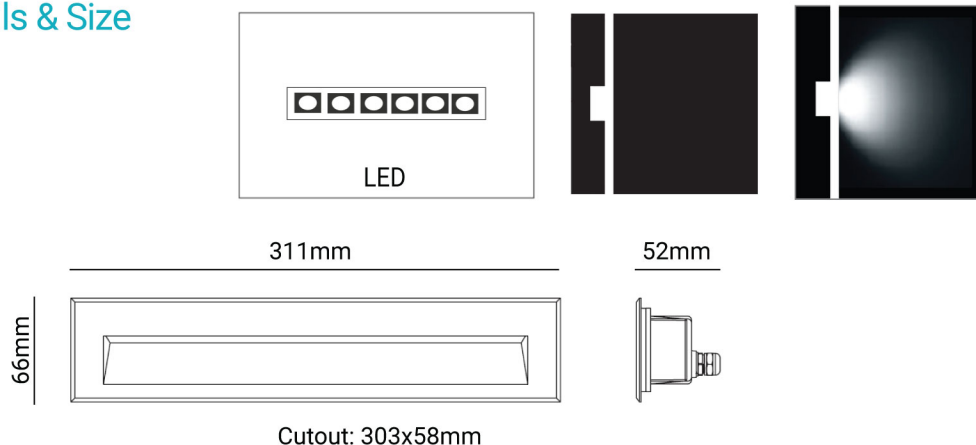
Product Features

- Highly efficient LED light source.
- IP66 High Protection Level
- Die-casting Aluminium Material
- Clear Tempered Glass Diffuser Material
- Class I Electrical Protector
- 100 Lumen / Watt
- Marine Coated
- IK Rating IK08
- Premium components with Cree Chip and OTSEN Driver

Product & Information

Product Data	Model Number	OT-SP-311 9W
	Product Colour	Grey, Black & White
	Body Material	Die-casting Aluminium
	Wattage	9W
	Beam Angle	120°
	Product Style	Step Light
Technical Data	Input Wattage	AC85-265V, AC/50-60Hz
	Lighting Source	Cree LED
	Luminous Flux	900 Lumen
	Color Temperature	6500K, 5000K, 4000K, 3000K
	Color Rendering Index	Ra>90
	Working Temperature	-20°C~ +50°C
	Safety Class	Class I
	Power Factor	0.95
	Type of Protection	IP 66
	Warranty	5 Years
	Life span	50000 hrs.
	IK Rating	IK08

Product Details & Size





© 2023 OTSEN UK PVT. LTD. all rights reserved. OTSEN reserves the right to make changes in specifications and / or to discontinue any product at any time without notice or obligation and will not be liable for any consequences resulting from the use of this publication.

www.otsen.co.uk